

# PRODUCT INFORMATION PACKET



Model No: C182T34WK2A

Catalog No: 194000.00

..3HP..3600RPM.182TC.TEFC.230/460V.3PH.60HZ.CONT.40C.1.15S.F..RIGID C FACE.....STAINLESS  
WASHDOWN.NOT.....

Paint Free



Regal and Leeson are trademarks of Regal Beloit Corporation or one of its affiliated companies.

©2018 Regal Beloit Corporation, All Rights Reserved. MC017097E



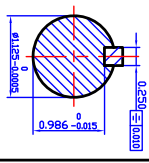
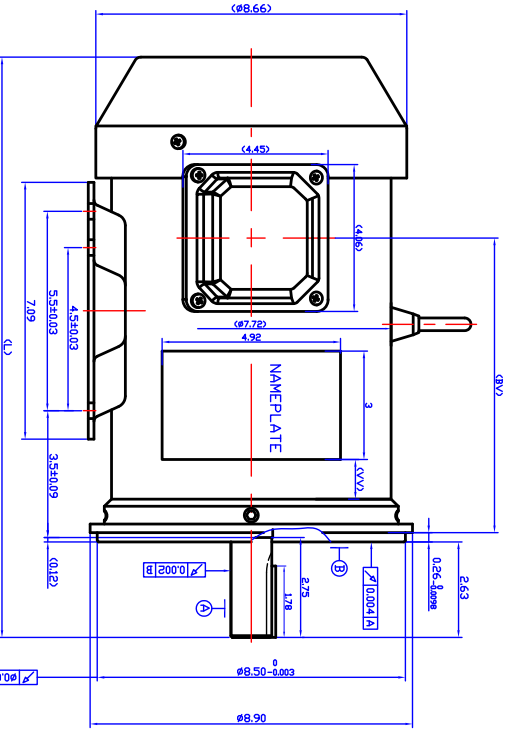
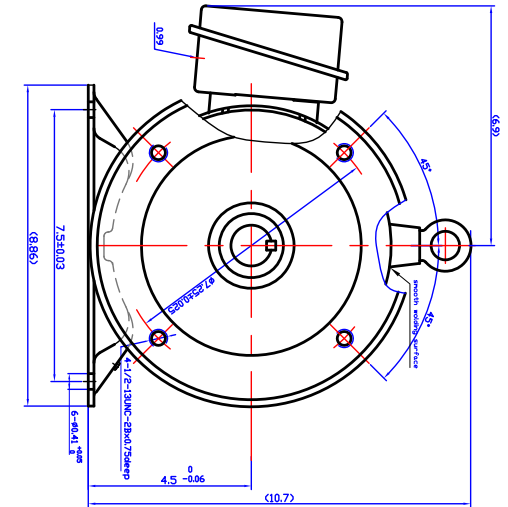


### Nameplate Specifications

Output HP	<b>3 Hp</b>	Output KW	<b>2.2 kW</b>
Frequency	<b>60 Hz</b>	Voltage	<b>230/460 V</b>
Current	<b>6.9/3.5 A</b>	Speed	<b>3520 rpm</b>
Service Factor	<b>1.15</b>	Phase	<b>3</b>
Efficiency	<b>86.5 %</b>	Duty	<b>Continuous</b>
Insulation Class	<b>F</b>	Design Code	<b>B</b>
KVA Code	<b>K</b>	Frame	<b>182TC</b>
Enclosure	<b>Totally Enclosed Fan Cooled</b>	Overload Protector	<b>No</b>
Ambient Temperature	<b>40 °C</b>	Drive End Bearing Size	<b>6306</b>
Opp Drive End Bearing Size	<b>6306</b>	UL	<b>Recognized</b>
CSA	<b>Y</b>	CE	<b>Y</b>
IP Code	<b>55</b>		

### Technical Specifications

Electrical Type	<b>Squirrel Cage Inverter Rated</b>	Starting Method	<b>Line Or Inverter</b>
Poles	<b>2</b>	Rotation	<b>Reversible</b>
Mounting	<b>Rigid base</b>	Motor Orientation	<b>HORIZONTAL</b>
Drive End Bearing	<b>BALL</b>	Opp Drive End Bearing	<b>BALL</b>
Frame Material	<b>Stainless Steel</b>	Shaft Type	<b>T</b>
Overall Length	<b>16.97 in</b>	Frame Length	<b>10.24 in</b>
Shaft Diameter	<b>1.125 in</b>	Shaft Extension	<b>2.75 in</b>
Assembly/Box Mounting	<b>F1 ONLY</b>		
Outline Drawing	<b>OL180TCSST</b>	Connection Diagram	<b>005010.01</b>



CAT NO	GW MODEL NO	FRAME	HP	VOL.TS	HZ	RPM	MOUNTING	SF	DUTY	ENCL.	PH	VV	BV	L
194000.00	GW33-2-182TC	182TC-2	3	230/460	60	3600	RIGID+C FLANGE	115	CONT.	TEFC	3	108	8/2	16.97
194102.00	GW33-2-575-182TC	182TC-2	3	575	60	3600	RIGID+C FLANGE	115	CONT.	TEFC	3	108	8/2	16.97
194001.00	GW33-4-182TC	182TC-4	3	230/460	60	1800	RIGID+C FLANGE	115	CONT.	TEFC	3	108	8/2	16.97
194003.00	GW33-4-575-182TC	182TC-4	3	575	60	1800	RIGID+C FLANGE	115	CONT.	TEFC	3	108	8/2	16.97
194002.00	GW33-2-184TC	184TC-2	5	230/460	60	3600	RIGID+C FLANGE	115	CONT.	TEFC	3	168	9/90	18.14
194104.00	GW35-2-575-184TC	184TC-2	5	575	60	3600	RIGID+C FLANGE	115	CONT.	TEFC	3	168	9/90	18.14
194003.00	GW35-4-184TC	184TC-4	5	230/460	60	1800	RIGID+C FLANGE	115	CONT.	TEFC	3	168	9/90	18.14
194105.00	GW35-4-575-184TC	184TC-4	5	575	60	1800	RIGID+C FLANGE	115	CONT.	TEFC	3	168	9/90	18.14

DR BY: ZHANGQING      2016-08-18

APPD:

FIRST ANGLE PROJECTION

EDS DATE: REV4

VERSION: REV4

DESCRIPTION: REGAL BELT CORPORATION

OUTLINE OF SST MOTORS FOR 180 FR

SCALE: 1:2

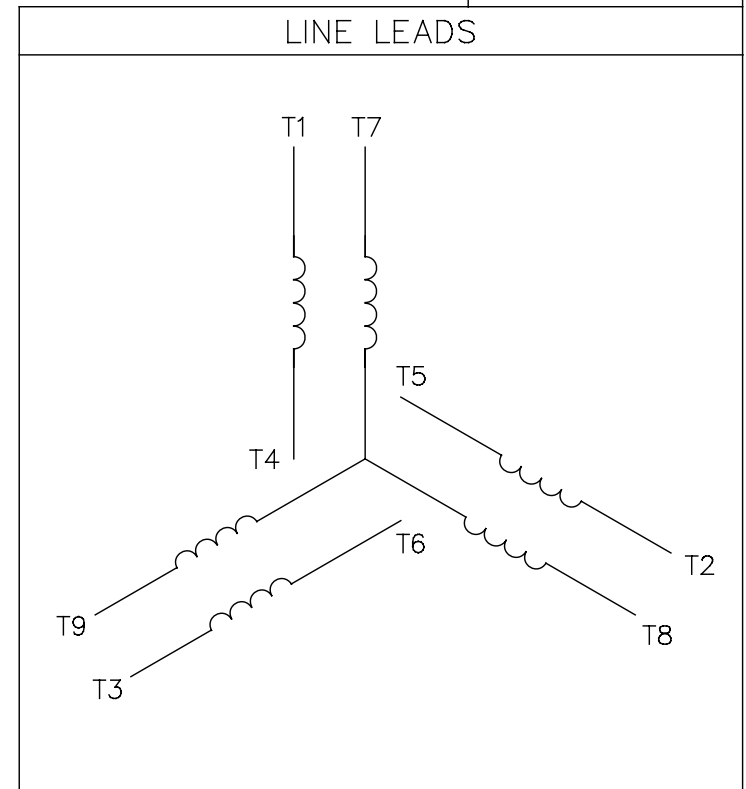
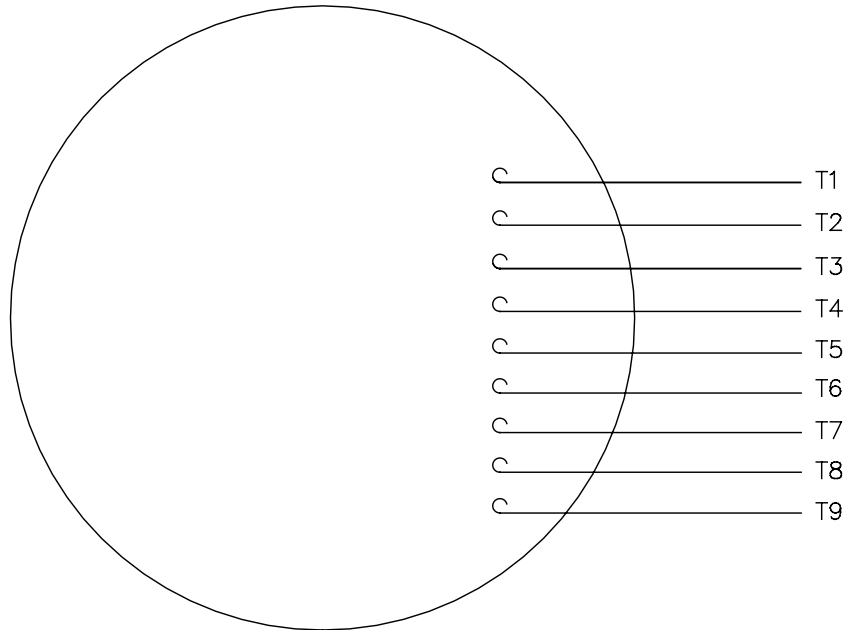
SHEET

CONFIDENTIAL: THIS DRAWING AND ITS INFORMATION ARE THE EXCLUSIVE AND CONFIDENTIAL PROPERTY OF REGAL BELT CORPORATION AND ARE NOT TO BE DISCLOSED, DUPLICATED, DISTRIBUTED OR OTHERWISE USED WITHOUT THE WRITTEN CONSENT OF REGAL BELT CORPORATION.

-ALL RIGHTS RESERVED.

005010-01

VIEW FROM OUTSIDE OF MOTOR AT SWITCH END.



VOLTAGE	L1	L2	L3	JOIN & INSULATE
HIGH	T1	T2	T3	(T4,T7) (T5,T8) (T6,T9)
LOW	T1,T7	T2,T8	T3,T9	T4,T5,T6

				TOLERANCES UNLESS SPECIFIED		<b>Regal Beloit America, Inc.</b>		DRAWN RDW 04/12/02				
				DEC.	INCHES			CHK				
				.X	±.1			APPD				
				.XX	±.01			SCALE 1=1				
				.XXX	±.005	TITLE		REF FIG.2-51				
A	UPDATED TO REGAL LOGO			SAJ	06/26/15	AJY	.XXXX	±.0005	MAT'L.	DECAL - 004014	FMF	
NO.	REVISION			BY & DATE	CHK	ANG	±1/2"	FINISH	PREV			
THIS DRAWING IN DESIGN AND DETAIL IS OUR PROPERTY AND MUST NOT BE USED EXCEPT IN CONNECTION WITH OUR WORK ALL RIGHTS OF DESIGN AND INVENTION ARE RESERVED THIS IS AN ELECTRONICALLY GENERATED DOCUMENT - DO NOT SCALE THIS PRINT				RFP	04/12/02		CAD FILE	00501001		SIZE	DRAWING NO.	REV.
				DIST	BRF-NLV			A	005010-01		A	